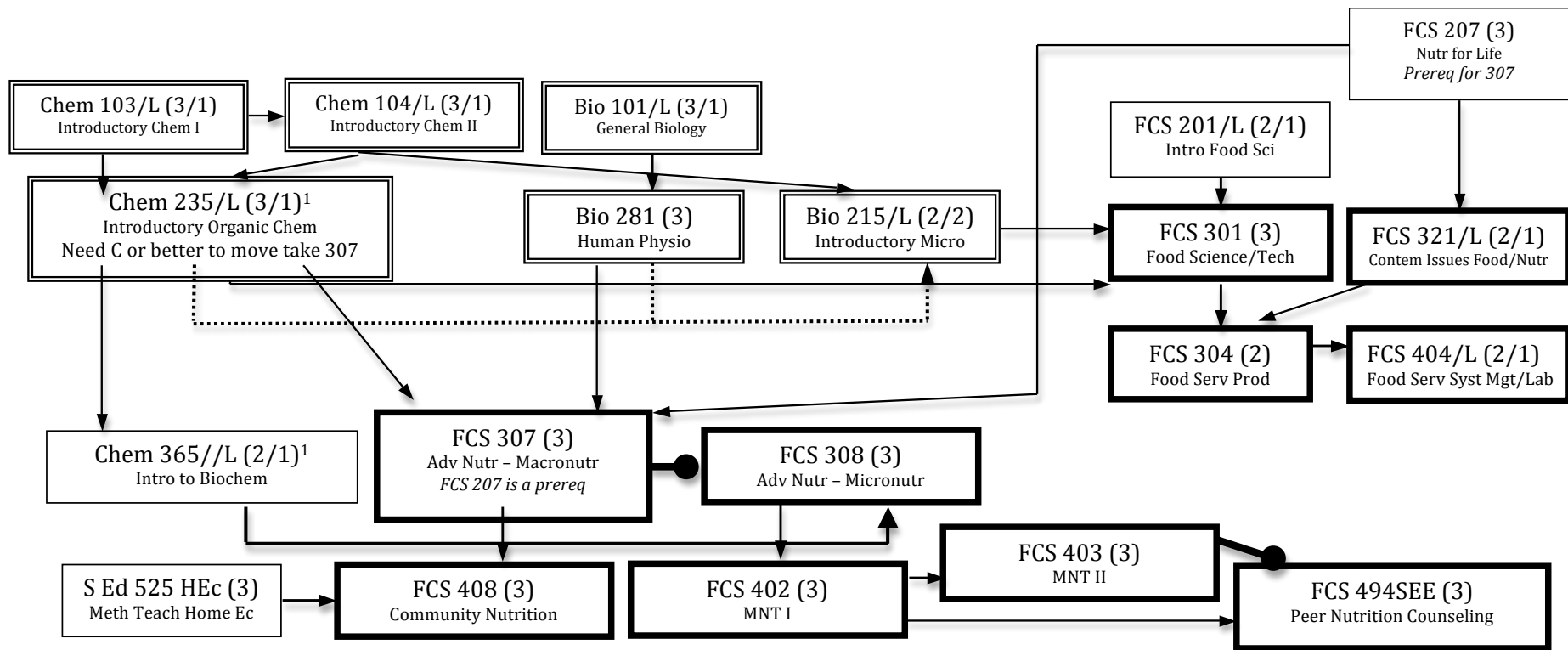


Flowchart for Nutrition/Dietetics (Pattern A) Requirements DPD: 2010 Catalog Requirements



Undergraduate FCS majors must also take FCS 170, 232, 320, and 380²

<p>This course is prereq to → this course</p> <p>Either this course → Or this course Prepares you for → This course</p> <p>This course is prereq to OR can be concurrent with → this course</p> <p style="border: 2px solid black; padding: 5px; text-align: center;">To be verified, you MUST complete this course at CSUN</p>	<p>Fall Only Courses</p> <p>FCS 404/L FCS 402</p>	<p>Spring Only</p> <p>FCS 304 FCS 308 FCS 408 FCS 403</p>
<p>Additional Required Courses</p> <p>Soc 150 or Anthro 150 (3) Coms 151/L (2/1) Psych 150 (3) Pols 155 or 403 (3) Eng 155 (3)</p>		

¹ Students must earn a grade of C or better in Chem 235/L in order to be able to take FCS 307; C or better in Chem 365/L to take 308.

² Graduate students must take *either* FCS 380 or 5800L in order to be classified, if non-FCS undergraduate degree.

Additional note: Graduate DPD students who will not be completing a MS degree and who have not taken a statistics course previously need to complete Math 140.